

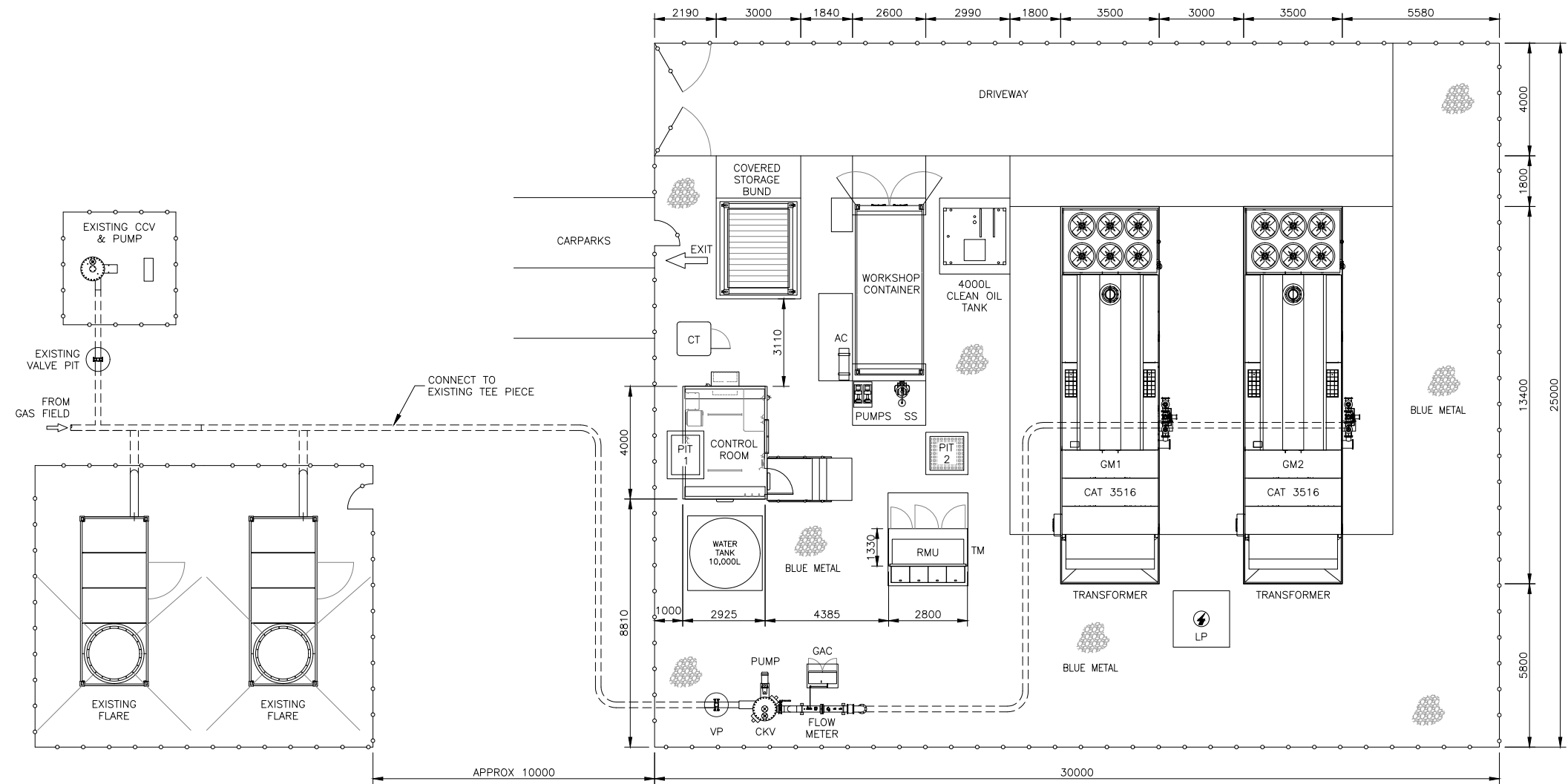


SCALE 1:100 FOR A1 SIZE
SCALE 1:200 FOR A3 SIZE

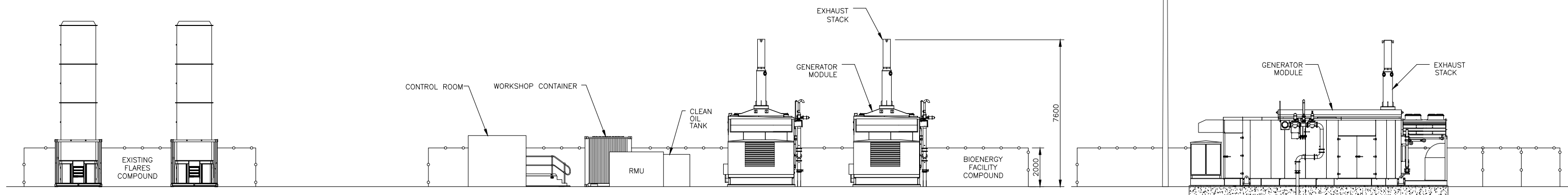


LEGEND

- 2m CHAINWIRE FENCE
- — — PIPEWORK ABOVE GROUND
- - - - - PIPEWORK BELOW GROUND
- AC AIR COMPRESSOR
- CCV CONDENSATE COLLECTION VESSEL
- CKV CONDENSATE KNOCKOUT VESSEL
- CT CHEMICAL TOILET
- GAC GAS ANALYSER CUBICLE
- GM GENERATOR MODULE
- LP 22m LIGHTNING POLE
- RMU RING MAIN UNIT (HIGH VOLTAGE SWITCHBOARD)
- SS SAFETY SHOWER
- TM TARIFF METER
- VP VALVE PIT



PLAN



ELEVATION
CKV, GAC, FUEL RAIL, WATER TANK,
COVERED STORAGE BUND AND LIGHTNING POLE
REMOVED FOR CLARITY

RIGHT END VIEW
CKV, GAC, FUEL RAIL, CONTROL ROOM, RMU, WATER TANK,
COVERED STORAGE BUND, WORKSHOP CONTAINER AND LIGHTNING POLE
REMOVED FOR CLARITY

FOR INFORMATION

STUART LANDFILL BIOENERGY FACILITY

PROPOSED POWER STATION
SITE LAYOUT

No	DATE	DRN	DES	CHKD	APP	DESCRIPTION
D	23/04/24	SA	DM			SITE CONFIGURATION CHANGED AND GM2 ADDED.
C	17/02/23	AAH	WB			LAYOUT REVISED FOR 1X CAT 3516 GM.
B	04/08/22	SA	WB			FOR INFORMATION - JENBACHER REFERENCE REMOVED
A	13/07/22	SA	WB			FOR INFORMATION

THIS DRAWING AND DESIGN CONTAINS PROPRIETARY INFORMATION AND REMAINS THE PROPERTY OF LMS ENERGY PTY LTD. IT SHALL NOT BE USED FOR MANUFACTURE, CONSTRUCTION OR TENDER OR OTHERWISE WITHOUT PRIOR WRITTEN CONSENT OF LMS. IT SHALL NOT BE REPRODUCED IN WHOLE OR IN PART AND NO INFORMATION AS TO THE CONTENTS OR SUBJECT MATTER OR ANY PARTY THEREOF MAY BE GIVEN ORALLY OR IN WRITING OR COMMUNICATED IN ANY MANNER WHATSOEVER TO ANY THIRD PARTY WITHOUT PRIOR CONSENT IN WRITING OF LMS ENERGY PTY LTD.



DRAWN: S.A.
DATE: 13/07/22
DESIGN: W.B.
DATE: 13/07/22
APPRVD:
DATE:

SCALE	DRAWING NUMBER	SHEET	SIZE	REV
1:100	40041-DA-001-01	of 01	A1	D