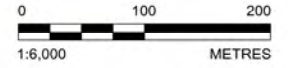


- LEGEND**
- APGG PROJECT ONSHORE SITE OF WORK
 - TAILWATER AND DEPOSITION PIPES
 - ACCESS ROAD
 - - - EXISTING FEATURES TO BE REMOVED
 - SITE OFFICE AND LAYDOWN AREA
 - TOPSOIL STOCKPILE AREA

NOT FOR CONSTRUCTION

NOTES
 1. AERIAL IMAGERY TAKEN FROM GOOGLE EARTH 01 JUNE 2015



2015-07-16	ISSUED FOR APPROVAL	DDW	DCR	RDM	AB BARRETT	11375	
2015-07-10	ISSUED FOR REVIEW	DDW	DCR	RDM	AM BARRETT	11375	
2015-06-12	ISSUED FOR REVIEW	EJC	DCR	RDM	A M BARRETT	11375	
Rev.	YYYY-MM-DD	DESCRIPTION	PREPARED	DESIGN	REVIEW	CERTIFIED	RPEQ No. SIGNATURE

CLIENT
 DEPARTMENT OF STATE DEVELOPMENT

Queensland Government

CONSULTANT
 Golder Associates

BRISBANE OFFICE
 147 CORONATION DRIVE
 MILTON, QLD 4064
 AUSTRALIA
 [+61] (7) 3721 5400
 www.golder.com

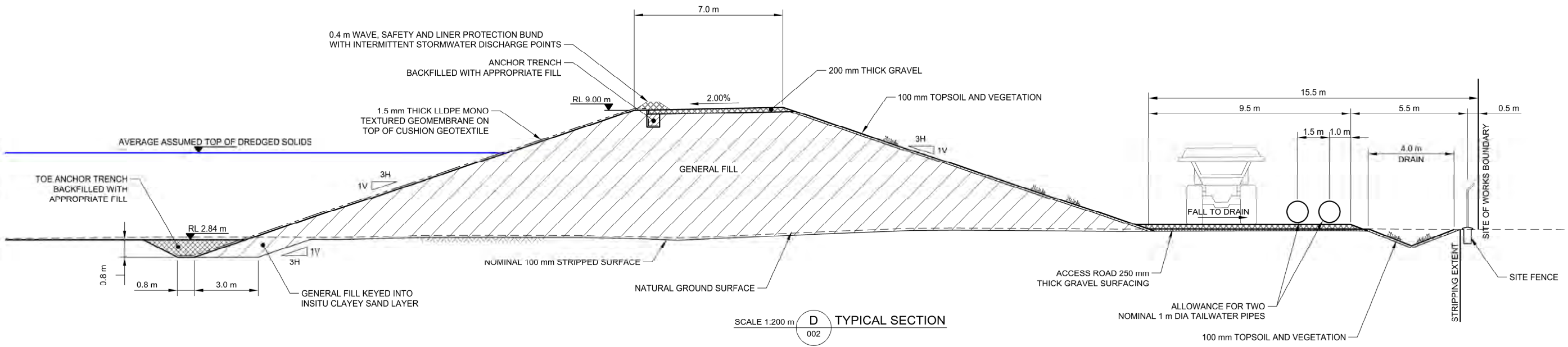
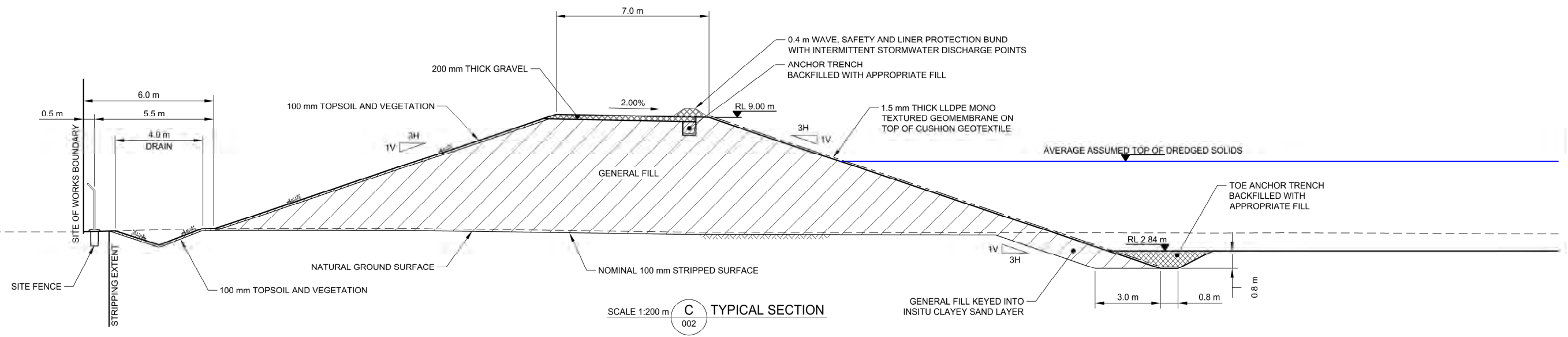
PROJECT
 ABBOT POINT GROWTH GATEWAY PROJECT
 DREDGED MATERIAL CONTAINMENT PONDS

TITLE
GENERAL ARRANGEMENT

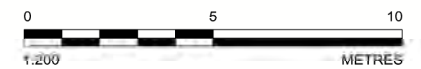
PROJECT No. 1525905 DOC No. 027 Rev. C 3 of 6 DRAWING 002

Path: \\p01\geomatics\GIS\DRAWINGS\ABBOT_POINT\PROJECTS\1525905\ABBOT_POINT_GGP\2_PRODUCTION\DWG\DRAWINGS\1_Files\Name: 1525905-027-D-002-003.dwg

IF THIS MEASUREMENT DOES NOT MATCH WHAT IS SHOWN, THE SHEET SIZE HAS BEEN MODIFIED FROM ISO A3 TO 25 mm



NOT FOR CONSTRUCTION



Path: \\golder.com\Geomatics\DRAWING\ABBOT_POINT_GROWTH_GATEWAY_PROJECT\1525905\1525905_002.DWG

Rev.	YYYY-MM-DD	DESCRIPTION	PREPARED	DESIGN	REVIEW	CERTIFIED	RPEQ No.	SIGNATURE
C	2015-07-16	ISSUED FOR APPROVAL	DDW	DCR	RDM	AB BARRETT	11375	
B	2015-07-10	ISSUED FOR REVIEW	DDW	DCR	RDM	AM BARRETT	11375	
A	2015-06-12	ISSUED FOR REVIEW	EJC	DCR	RDM	A M BARRETT	11375	

CLIENT
DEPARTMENT OF STATE DEVELOPMENT

CONSULTANT
Golder Associates

BRISBANE OFFICE
147 CORONATION DRIVE
MILTON, QLD 4064
AUSTRALIA
[+61] (7) 3721 5400
www.golder.com

PROJECT
ABBOT POINT GROWTH GATEWAY PROJECT
DREDGED MATERIAL CONTAINMENT PONDS

TITLE
TYPICAL SECTIONS

PROJECT No. 1525905
DOC No. 027
Rev. C
6 of 6
DRAWING 240

25 mm IF THIS MEASURE IS SHOWN, THE SHEET SIZE IS SHOWN UNLESS OTHERWISE MODIFIED (ISO)

HAT 3.60m
 MHWS 2.70m
 MHWN 2.07m
 MSL 1.69m
 MLWN 1.30m
 MLWS 0.67m
 LAT 0.00m

TIDAL PLANES
 ABBOT POINT
 (QUEENSLAND TIDE TABLES 2015)

LEGEND

- INDICATIVE DELIVERY PIPELINE ROUTE
- INDICATIVE RETURN PIPELINE ROUTE
- - - ALTERNATE INDICATIVE DELIVERY PIPELINE ROUTE
- - - ALTERNATE INDICATIVE RETURN PIPELINE ROUTE
- PROPOSED CULTURAL HERITAGE AVOIDANCE AREA

T0 DREDGING

DELIVERY PIPELINE
 (INDICATIVE)

RETURN PIPELINE
 (INDICATIVE)

ALTERNATE DELIVERY
 AND RETURN PIPELINE
 SHORE CROSSING

NOM. PIPE LAYDOWN
 AREA (100m x 100m)
 (LOCATION TBC)

SOIL STOCKPILE AREA

SITE OFFICE AND
 LAYDOWN AREA

PUMP STATION

DREDGED MATERIAL
 CONTAINMENT PONDS

ISSUED FOR APPROVAL
 NOT FOR CONSTRUCTION

NOTES

1. AERIAL PHOTOGRAPHY 2013
2. SITE OF WORKS INCLUDES TOTAL DREDGING EXTENTS, DELIVERY AND RETURN WATER PIPELINES, DREDGED MATERIAL CONTAINMENT PONDS AND PIPE LAYDOWN AREA.
3. DRAWINGS TO BE READ IN CONJUNCTION WITH THE TECHNICAL SPECIFICATION (Contract No. DSD-3221-15a)
4. LOCATION OF EXISTING FEATURES TO BE CONFIRMED ON SITE
5. CULTURAL HERITAGE AREA PROVIDED BY DSDIP 19/12/2014

SCALE 1 : 10000



DATUM

VERTICAL LAT BASED ON PM 66022 (RL 8,740m LAT)

HORIZONTAL MAP GRID OF AUSTRALIA BASED ON GDA 94, ZONE 55

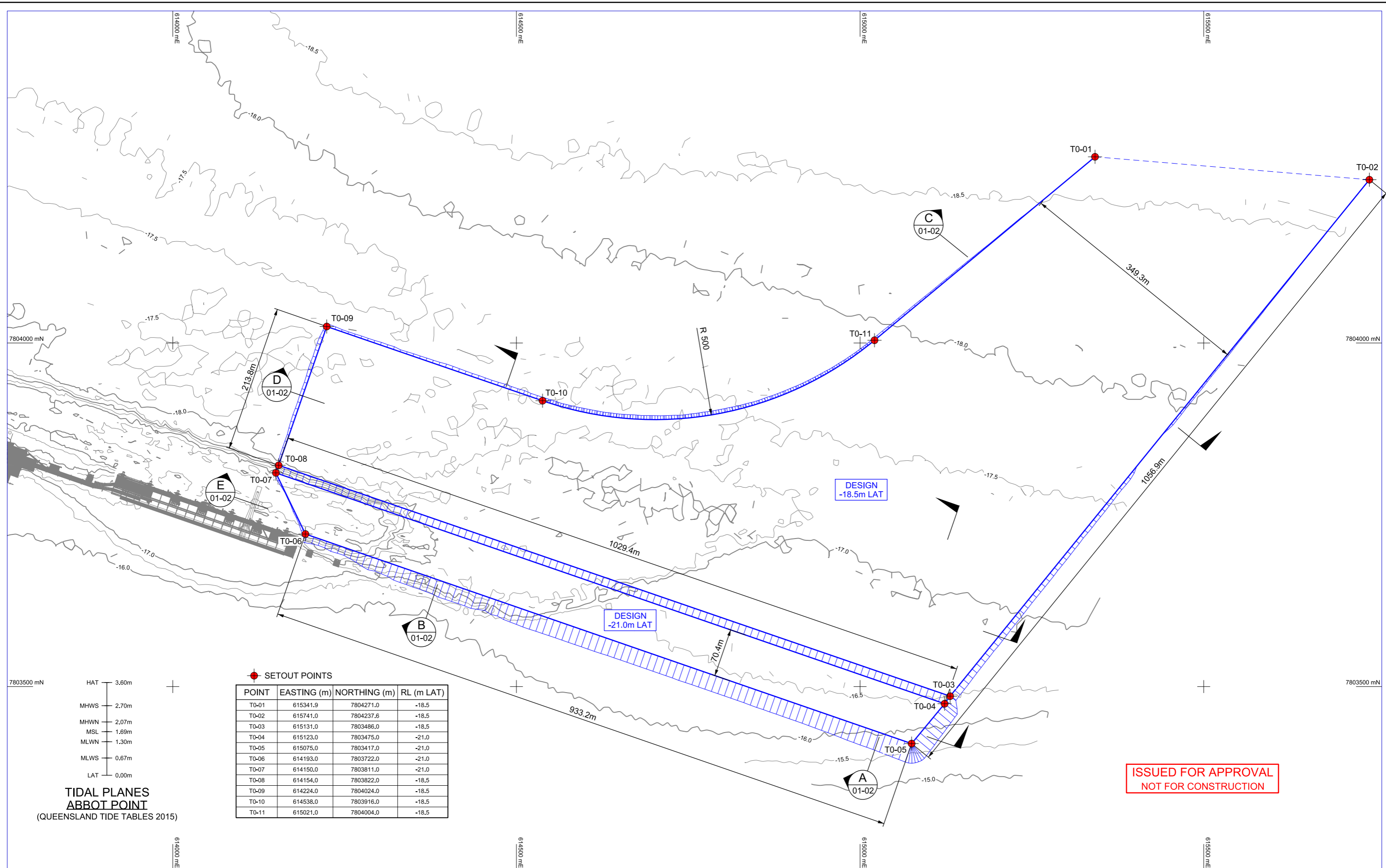


"Where will our knowledge take you?"

ENGINEER	H.Sunarko	16/07/2015
DRAWN	C.Livingstone	16/07/2015
DRAFTING CHECK	G.Bebbington	16/07/2015
ENGINEERING CHECK	T.Green	16/07/2015
APPROVED PROJECT MGR		

CLIENT	DEPARTMENT OF STATE DEVELOPMENT
PROJECT	ABBOT POINT GROWTH GATEWAY
TITLE	DREDGING & DREDGED MATERIAL PLACEMENT GENERAL ARRANGEMENT SITE LAYOUT
DRAWING NUMBER	BMT JFA 275.03-00-03
REV	A

A	16/07/15	ISSUED FOR APPROVAL	CJL	
REV	DATE	AMENDMENT	DRN	APP
ORIG SIZE	ARCHIVE			
A1	BMT JFA-275_03-00-03A.DGN			



**TIDAL PLANES
ABBOT POINT
(QUEENSLAND TIDE TABLES 2015)**

HAT	3.60m
MHWS	2.70m
MHWN	2.07m
MSL	1.69m
MLWN	1.30m
MLWS	0.67m
LAT	0.00m

SETOUT POINTS

POINT	EASTING (m)	NORTHING (m)	RL (m LAT)
T0-01	615341.9	7804271.0	-18.5
T0-02	615741.0	7804237.6	-18.5
T0-03	615131.0	7803486.0	-18.5
T0-04	615123.0	7803475.0	-21.0
T0-05	615075.0	7803417.0	-21.0
T0-06	614193.0	7803722.0	-21.0
T0-07	614150.0	7803811.0	-21.0
T0-08	614154.0	7803822.0	-18.5
T0-09	614224.0	7804024.0	-18.5
T0-10	614538.0	7803916.0	-18.5
T0-11	615021.0	7804004.0	-18.5

REV	DATE	AMENDMENT	DRN	APP
B	14/07/15	ISSUED FOR APPROVAL	CJL	
A	23/06/15	INITIAL ISSUE	CJL	

ORIG SIZE ARCHIVE
A1 BMT JFA-275_03-01-01B.DGN

NOTES

- HYDROGRAPHIC CONTOURS (0.5m INTERVAL) FROM COMBINED SURVEY (REFER DRG No. BMT JFA 275.03-03-01 FOR MORE DETAILS)
- ALL DESIGN BATTERS ARE 1:5
- DREDGE SETOUT FROM ADANI DRG. BRM202-DW-MN-GEN-0002 REV2
- DRAWINGS TO BE READ IN CONJUNCTION WITH THE TECHNICAL SPECIFICATION (Contract No. DSD-3221-15a)
- LOCATION OF EXISTING FEATURES TO BE CONFIRMED ON SITE
- NO BOX CUTS PERMITTED FOR BATTER BETWEEN T0-05 TO T0-06

SCALE 1 : 2500

DATUM
VERTICAL LAT BASED ON PM 66022 (RL 8,740m LAT)
HORIZONTAL MAP GRID OF AUSTRALIA BASED ON GDA 94, ZONE 55

Queensland Government
BMT JFA Consultants
"Where will our knowledge take you?"

ENGINEER	H.Sunarko	14/07/2015
DRAWN	C.Livingstone	14/07/2015
DRAFTING CHECK	G.Bebbington	14/07/2015
ENGINEERING CHECK	T.Green	14/07/2015
APPROVED PROJECT MGR		

CLIENT	DEPARTMENT OF STATE DEVELOPMENT
PROJECT	ABBOT POINT GROWTH GATEWAY
TITLE	DREDGING & DREDGED MATERIAL PLACEMENT TO DREDGING SETOUT
DRAWING NUMBER	BMT JFA 275.03-01-01
REV	B