



PLANS AND DOCUMENTS referred to in the SDA APPROVAL  
 SDA approval: APC2023/004

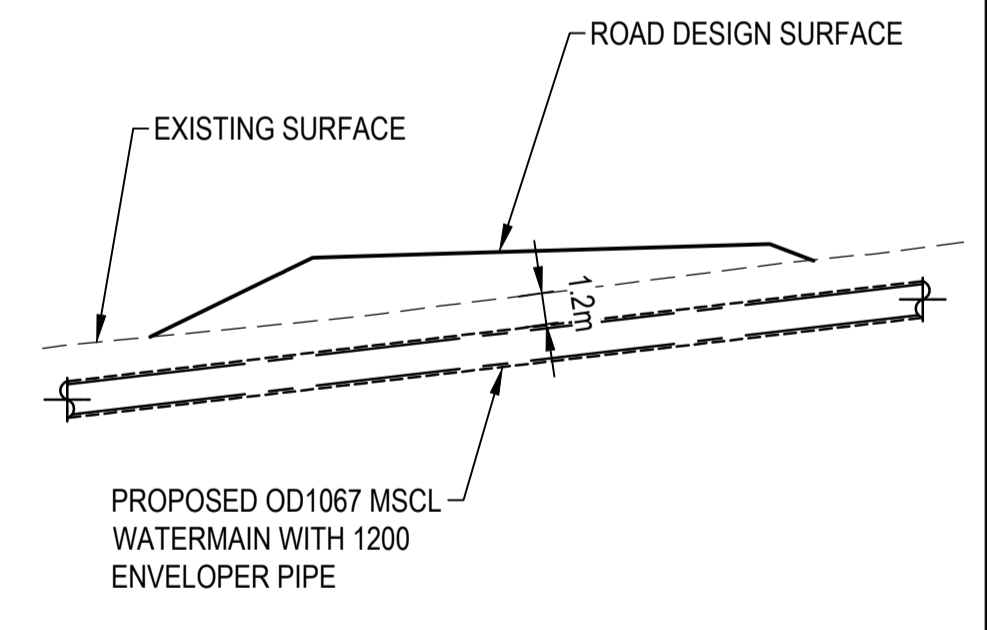
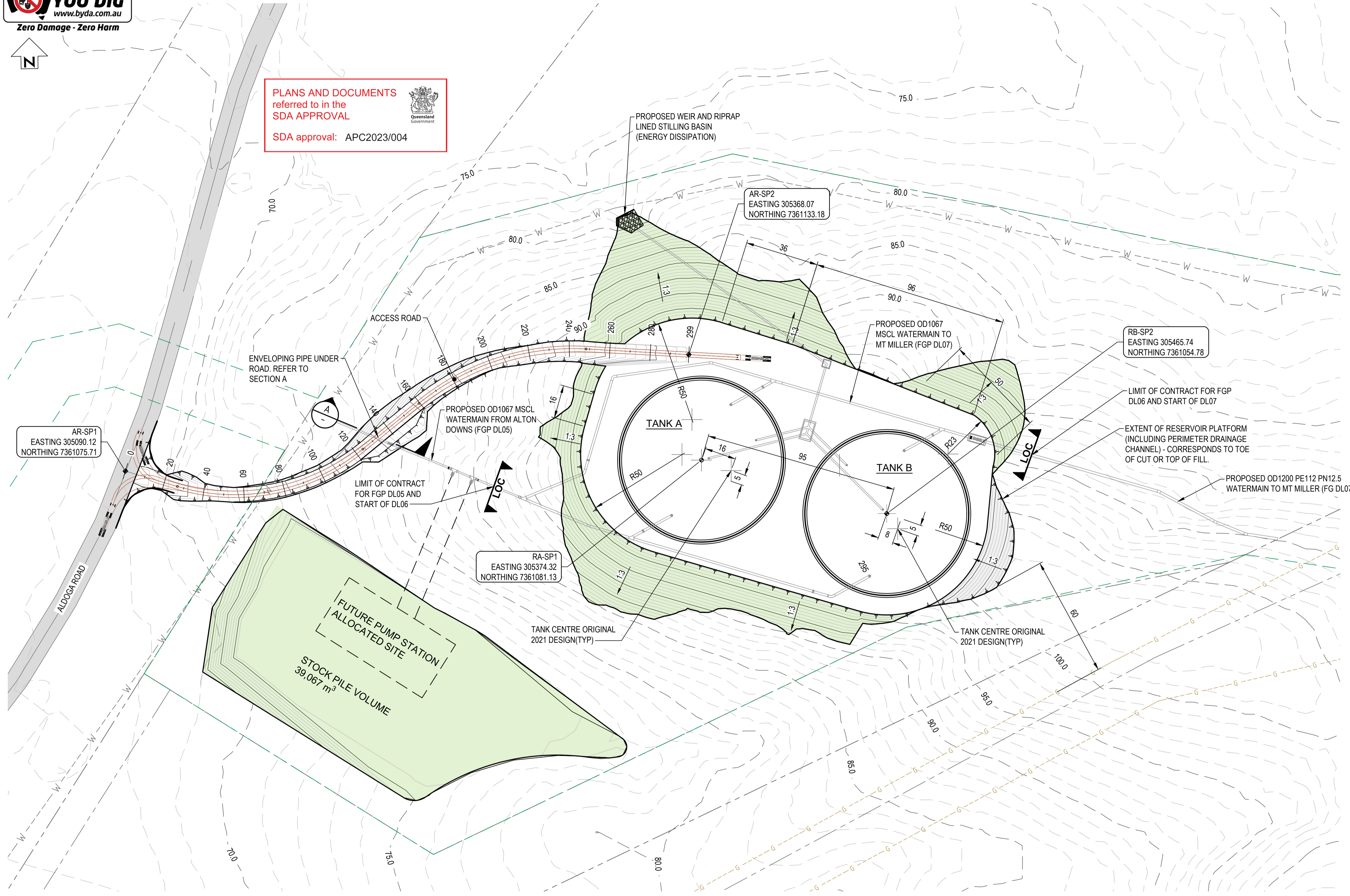


**NOTES**

- COORDINATE SYSTEM MGA 56 GDA 2020
- ALL DIMENSIONS IN METRES
- ALL EXISTING SERVICES HAVE BEEN DERIVED FROM GIS AND ARE INDICATIVE ONLY. ACTUAL LOCATIONS NEED TO BE VERIFIED ON SITE

**LEGEND**

- PIPELINE CONSTRUCTION EASEMENT
- OP EXISTING OVERHEAD POWER (LV)
- W EXISTING WATER (GIS)
- G EXISTING GAS (GIS)
- PROPERTY BOUNDARY (GIS)
- TREES
- CUT
- FILL



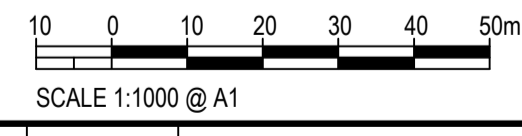
SECTION A  
 SCALE 1:250

OVERALL LAYOUT PLAN  
 SCALE 1: 1000

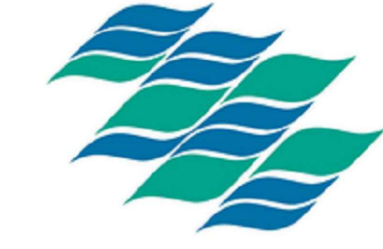
**DRAFT - NOT APPROVED**

REGISTERED PROFESSIONAL ENGINEER OF QUEENSLAND  
 NAME: \_\_\_\_\_  
 RPEQ NO.: \_\_\_\_\_  
 DIVISION: \_\_\_\_\_  
 SIGNATURE: \_\_\_\_\_  
 08/06/23

PRELIMINARY DRAWING  
 NOT TO BE USED FOR CONSTRUCTION PURPOSES



REV	DATE	REVISION DESCRIPTION	DRN	CHKD	EXT. APP.	GAWB ACC.	REFERENCE DRAWINGS	NUMBER
D	23/06/23	REVISED 50% DESIGN	OC	PF	SM			
C	08/06/23	REVISED 50% DESIGN	JP	PF	SM			
B	28/04/23	ISSUED FOR 50% DESIGN	AR	PF	SM			
A	24/04/23	ISSUED FOR INFORMATION	AR	PF	SM			



**Gladstone Area Water Board**

136 Goodnoon Street Gladstone Q 4680 PO Box 466 Gladstone Q 4680 Tel: (07) 4976 3000 ABN: 88 409 667 181

PROJECT No: FITZROY TO GLADSTONE PIPELINE PROJECT  
 SIZE: A1  
 DRAWING No: XXXX-X-XXXX  
 SCALE: AS NOTED  
 REV: D

DRN: OLIVER CORPUZ 08/06/23  
 DESIGNED BY: NOURAN ABDALLA 08/06/23  
 REVIEWED BY: PETER FRASER 23/06/23

THIS DRAWING IS THE PROPERTY OF GLADSTONE AREA WATER BOARD AND IS NOT TO BE COPIED OR USED WITHOUT ITS WRITTEN PERMISSION  
 INITIALS SHOWING (W) AS TERISK INDICATE ORIGINAL SIGNATURE HAS BEEN SIGNED OFF AS PER 88/96/23 INDICATED

TEMPLATE VERSION: GAWB TEMPLATE\_V6





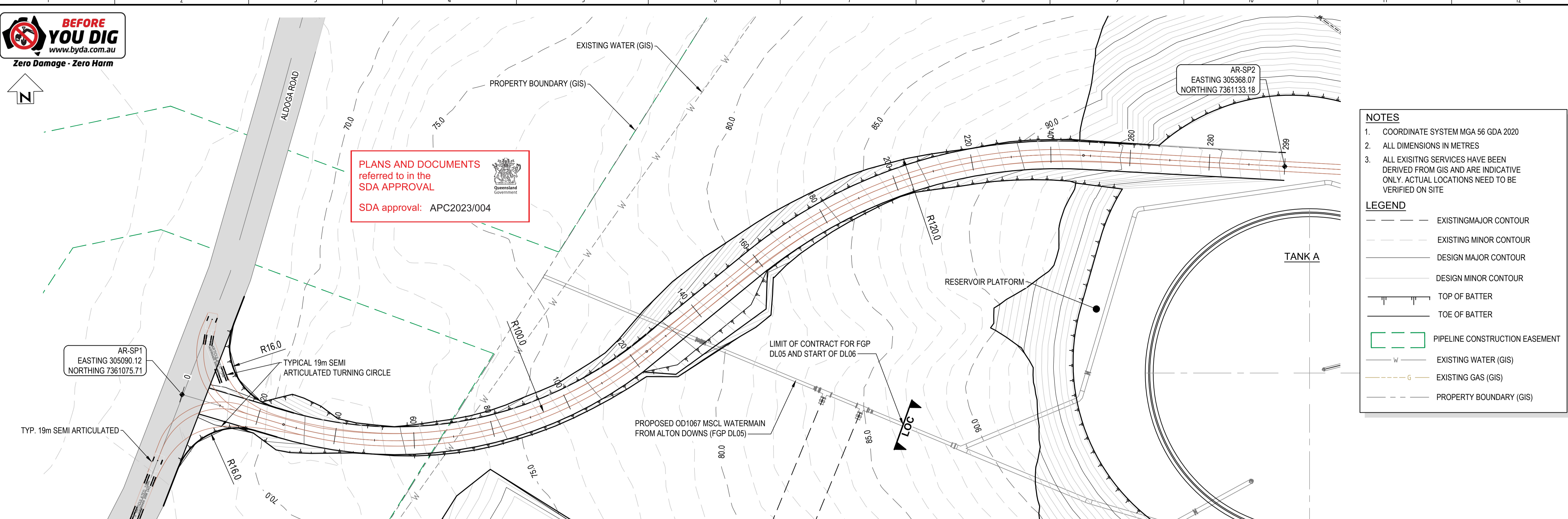
PLANS AND DOCUMENTS referred to in the SDA APPROVAL  
 Queensland Government  
 SDA approval: APC2023/004

**NOTES**

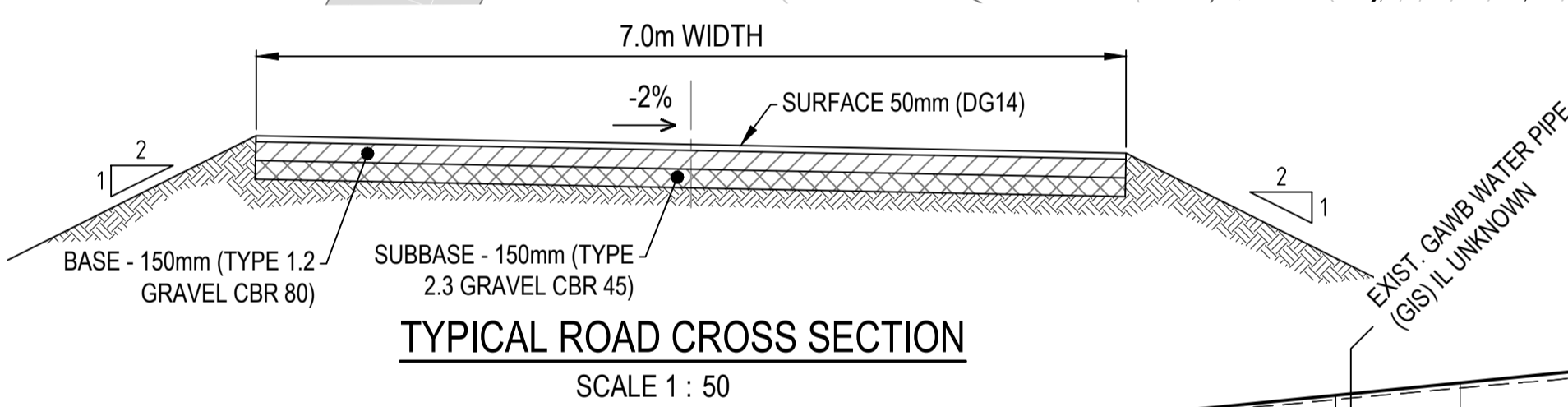
- COORDINATE SYSTEM MGA 56 GDA 2020
- ALL DIMENSIONS IN METRES
- ALL EXISTING SERVICES HAVE BEEN DERIVED FROM GIS AND ARE INDICATIVE ONLY. ACTUAL LOCATIONS NEED TO BE VERIFIED ON SITE

**LEGEND**

- EXISTING MAJOR CONTOUR
- EXISTING MINOR CONTOUR
- DESIGN MAJOR CONTOUR
- DESIGN MINOR CONTOUR
- TOP OF BATTER
- TOE OF BATTER
- PIPELINE CONSTRUCTION EASEMENT
- EXISTING WATER (GIS)
- EXISTING GAS (GIS)
- PROPERTY BOUNDARY (GIS)



**ACCESS ROAD - PLAN VIEW**  
 SCALE 1: 500



**TYPICAL ROAD CROSS SECTION**  
 SCALE 1: 50

CHAINAGE	10.00	20.00	30.00	40.00	50.00	60.00	70.00	80.00	90.00	100.00	110.00	120.00	130.00	140.00	150.00	160.00	170.00	180.00	190.00	200.00	210.00	220.00	230.00	240.00	250.00	260.00	270.00	280.00	290.00																																																			
-CUT +FILL	0.00	-0.72	-0.53	-1.81	-0.21	-0.05	+0.21	+0.33	+0.41	+0.48	+0.53	+0.78	+1.06	+1.65	+2.15	+2.59	+1.63	+1.23	+0.98	+0.79	+0.40	-0.03	-0.42	-0.47	-0.56	-0.66	-0.82	-0.58	-0.01	+0.69	+1.40																																																	
DESIGN LEVEL		67.79	68.79	69.79	70.79	71.78	72.78	73.78	74.78	75.78	76.78	77.78	78.77	79.77	80.77	81.77	82.77	83.77	84.77	85.76	86.76	87.76	88.76	89.76	90.76	91.76	92.75	93.75	94.75	95.75																																																		
GROUND LEVEL		68.51	68.31	71.60	71.00	71.84	72.57	73.45	74.37	75.30	76.25	76.99	77.71	78.12	78.63	79.18	81.14	82.54	83.79	84.98	86.36	87.79	88.18	90.23	91.32	92.41	93.57	94.33	94.76	95.06																																																		
VERTICAL GEOMETRY	L=10.00 -2.1%																L=289.02 10.0%																																																															
HORIZONTAL GEOMETRY	26.68m 106°27'45"																R 100.00 A 97.15																35.72m 50°48'01"																R 120.00 A 88.67																50.81m 93°08'13"															

**LONGITUDINAL SECTION**  
 SCALES - H 1: 500  
 V 1: 100

**DRAFT - NOT APPROVED**

REGISTERED PROFESSIONAL ENGINEER OF QUEENSLAND  
 NAME: \_\_\_\_\_  
 RPEQ NO.: \_\_\_\_\_  
 DIVISION: \_\_\_\_\_  
 SIGNATURE: \_\_\_\_\_  
 08/06/23

**PRELIMINARY DRAWING**  
 NOT TO BE USED FOR CONSTRUCTION PURPOSES

REV	DATE	REVISION DESCRIPTION	DRN	CHKD	EXT. APP.	GAWB ACC.	REFERENCE DRAWINGS	NUMBER
C	23/06/23	REVISED 50% DESIGN	OC	PF	SM			
B	08/06/23	REVISED 50% DESIGN	JP	PF	SM			
A	28/04/23	ISSUED FOR 50% DESIGN	AR	PF	SM			



**Gladstone Area Water Board**  
 136 Goodnoon Street Gladstone Q 4680 PO Box 466 Gladstone Q 4680 Tel: (07) 4976 3000 ABN: 88 409 667 181

**FITZROY TO GLADSTONE PIPELINE PROJECT**  
 ALDOGA TANKS  
 LAYOUT PLAN  
 ROADWORKS  
 1151-DL06-STN-CIV-DRG-36006

DRAWN BY: OLIVER CORPUZ 08/06/23  
 DESIGNED BY: NOURAN ABDALLA 08/06/23  
 REVIEWED BY: PETER FRASER 23/06/23  
 ACCEPTANCE BY: RPEQ APPROVAL GAWB ACCEPTANCE

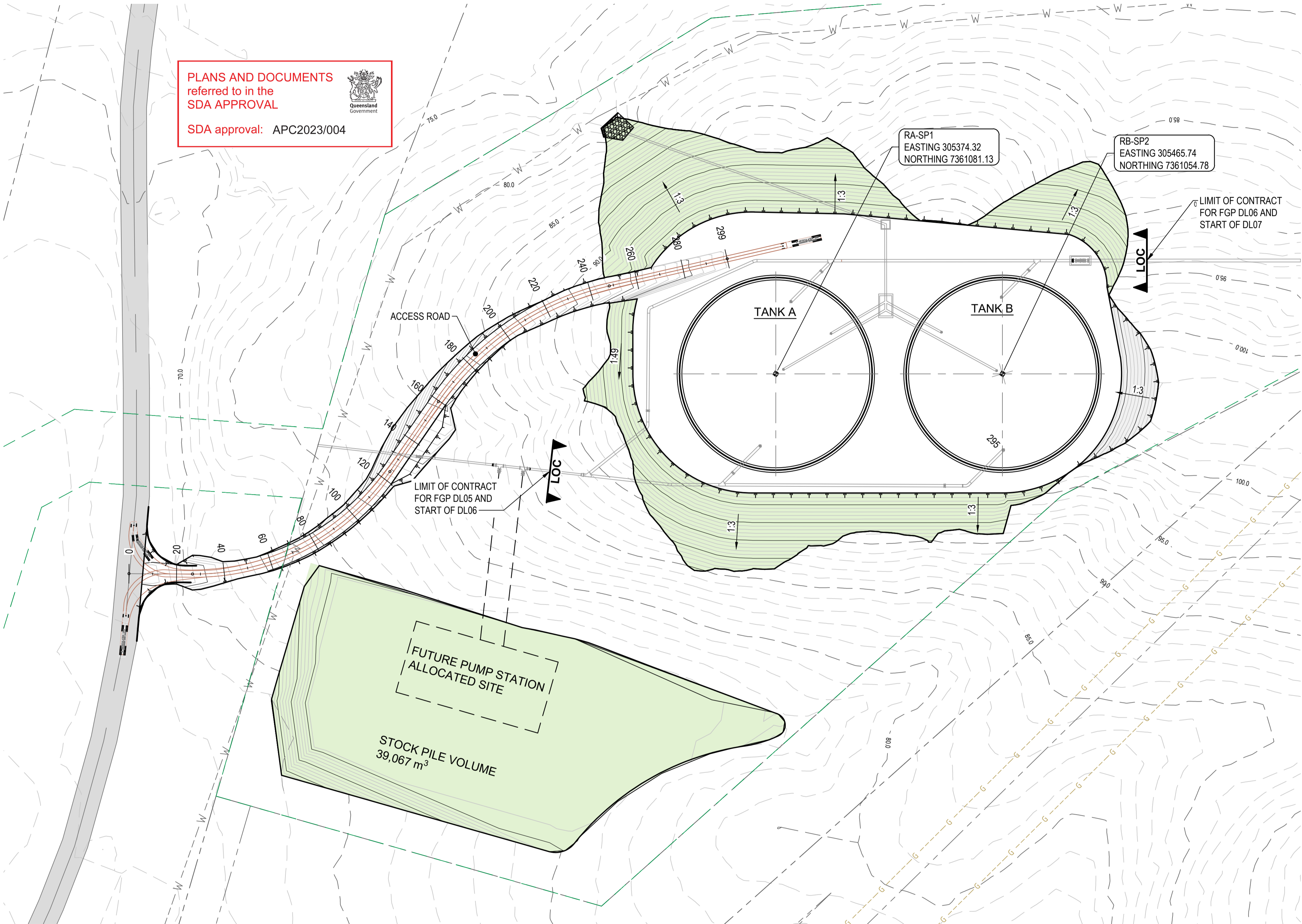
PROJECT No. \_\_\_\_\_ SIZE: A1 DRAWING No. XXXX-X-XXXX SCALE: AS NOTED REV: C

TEMPLATE VERSION: GAWB\_TEMPLATE\_V6





PLANS AND DOCUMENTS referred to in the SDA APPROVAL  
 SDA approval: APC2023/004



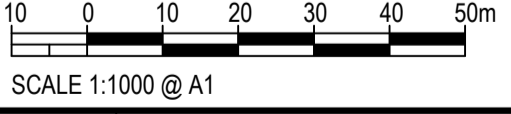
PLAN  
 SCALE 1 : 1000

**NOTES**

- COORDINATE SYSTEM MGA 56 GDA 2020
- ALL DIMENSIONS IN METRES
- REFER DRG 1151-DL06-STN-CIV-DRG-36009 FOR SETOUT TABLE

**LEGEND**

- EXISTING MAJOR CONTOUR
- EXISTING MINOR CONTOUR
- DESIGN MAJOR CONTOUR
- DESIGN MINOR CONTOUR
- TOP OF BATTER
- TOE OF BATTER
- PIPELINE CONSTRUCTION EASEMENT
- EXISTING OVERHEAD POWER (LV)
- EXISTING WATER (GIS)
- EXISTING GAS (GIS)
- OVERFLOW PIPE
- PROPERTY BOUNDARY (GIS)
- CUT
- FILL



**DRAFT - NOT APPROVED**

REGISTERED PROFESSIONAL ENGINEER OF QUEENSLAND  
 NAME: \_\_\_\_\_  
 RPEQ NO.: \_\_\_\_\_  
 DIVISION: \_\_\_\_\_  
 SIGNATURE: \_\_\_\_\_  
 08/06/23

**PRELIMINARY DRAWING**  
 NOT TO BE USED FOR CONSTRUCTION PURPOSES

REV	DATE	REVISION DESCRIPTION	DRN	CHKD	EXT. APP.	GAWB ACC.	REFERENCE DRAWINGS	NUMBER
C	23/06/23	REVISED 50% DESIGN	OC	PF	SM			
B	08/06/23	ISSUED FOR 50% DESIGN	JP	PF	SM			
A	28/04/23	ISSUED 50% DESIGN	AR	PF	SM			



**Gladstone Area Water Board**

136 Goondoon Street Gladstone Q 4680 PO Box 466 Gladstone Q 4680 Tel: (07) 4976 3000 ABN: 88 409 667 181

FITZROY TO GLADSTONE PIPELINE PROJECT  
 ALDOGA TANKS  
 LAYOUT PLAN  
 RESEVOIR AREA  
 1151-DL06-STN-CIV-DRG-36007

PROJECT No.	SIZE	DRAWING No.	SCALE	REV
	A1	XXXX-X-XXXX	AS NOTED	C

TEMPLATE VERSION: GAWB TEMPLATE\_V6

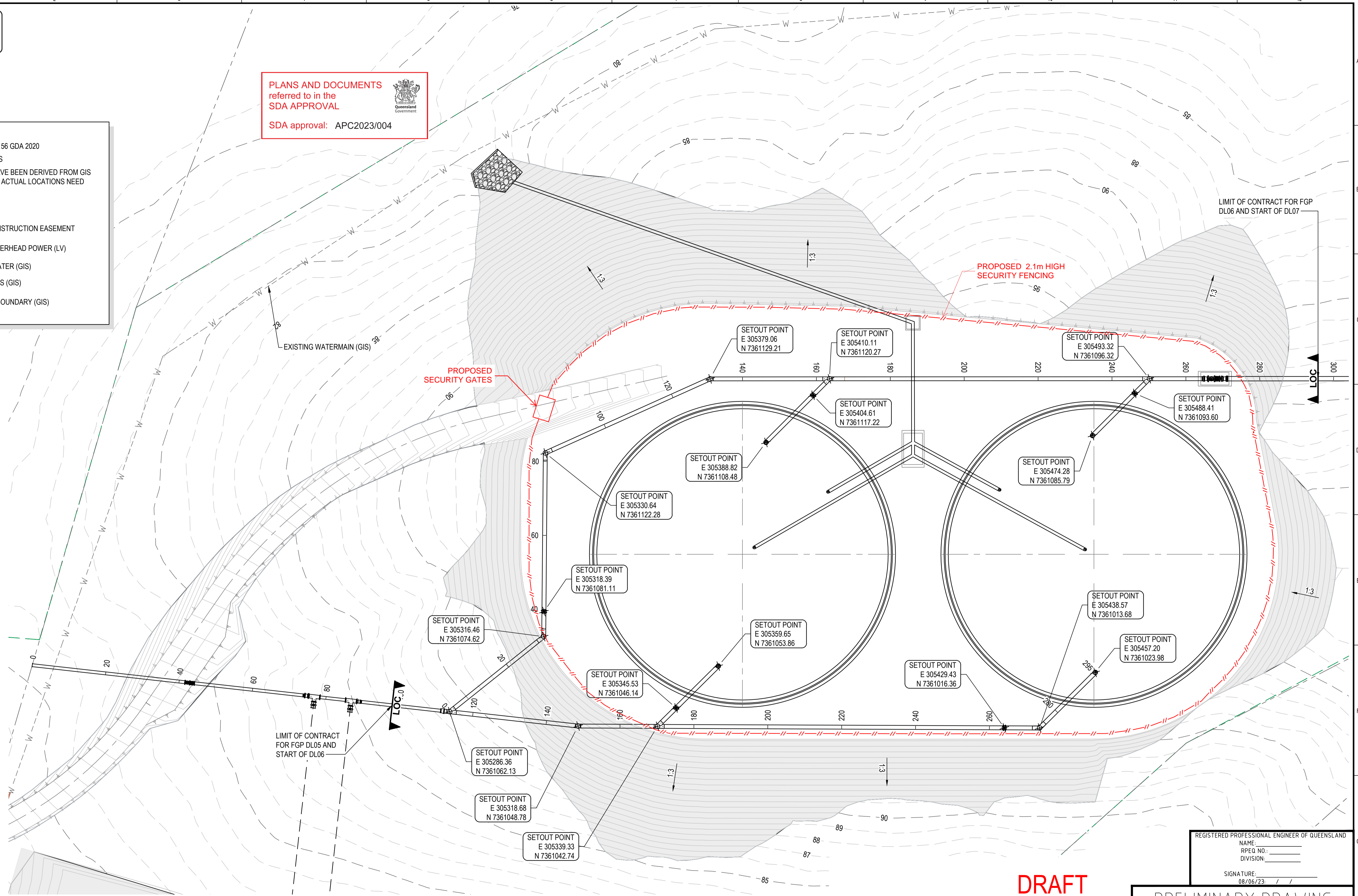




PLANS AND DOCUMENTS referred to in the SDA APPROVAL  
 SDA approval: APC2023/004



- NOTES**
- COORDINATE SYSTEM MGA 56 GDA 2020
  - ALL DIMENSIONS IN METRES
  - ALL EXISTING SERVICES HAVE BEEN DERIVED FROM GIS AND ARE INDICATIVE ONLY. ACTUAL LOCATIONS NEED TO BE VERIFIED ON SITE
- LEGEND**
- PIPELINE CONSTRUCTION EASEMENT
  - EXISTING OVERHEAD POWER (LV)
  - EXISTING WATER (GIS)
  - EXISTING GAS (GIS)
  - PROPERTY BOUNDARY (GIS)



PIPE SETOUT PLAN  
 SCALE 1 : 500

**DRAFT**

REGISTERED PROFESSIONAL ENGINEER OF QUEENSLAND  
 NAME: \_\_\_\_\_  
 RPEQ NO.: \_\_\_\_\_  
 DIVISION: \_\_\_\_\_  
 SIGNATURE: \_\_\_\_\_  
 08/06/23

**PRELIMINARY DRAWING**  
 NOT TO BE USED FOR CONSTRUCTION PURPOSES

REV	DATE	REVISION DESCRIPTION	DRN	CHKD	EXT. APP.	GAWB ACC.	REFERENCE DRAWINGS	NUMBER
B	23/06/23	REVISED 50% DESIGN	OC	PF	SM			
A	08/06/23	ISSUED FOR 50% DESIGN INFORMATION	JP	PF	SM			

**Gladstone Area Water Board**  
 136 Goodwood Street Gladstone Q 4680 PO Box 466 Gladstone Q 4680 Tel: (07) 4976 3000 ABN: 88 409 667 181

THIS DRAWING IS THE PROPERTY OF GLADSTONE AREA WATER BOARD AND IS NOT TO BE COPIED OR USED WITHOUT ITS WRITTEN PERMISSION  
 INITIALS SHOWING (W) AS TERIKS INDICATE ORIGINAL SIGNATURE HAS BEEN SIGNED OFF AS PER 88/96/23 INDICATED

DRAWN BY: OLIVER CORPUZ	08/06/23	FITZROY TO GLADSTONE PIPELINE PROJECT ALDOGA TANKS PIPING SETOUT PLAN 1151-DL06-STN-CIV-DRG-36013
DESIGNED BY: NOURAN ABDALLA	08/06/23	
REVIEWED BY: PETER FRASER	23/06/23	

PROJECT No: \_\_\_\_\_ SIZE: **A1** DRAWING No: **XXXX-X-XXXX** SCALE: **AS NOTED** REV: **B**

TEMPLATE VERSION: GAWB TEMPLATE\_V6